

INSTALLATION INSTRUCTION FOR P1285

WARNING! SHUT POWER OFF AT FUSE OR CIRCUIT BREAKER .
AVERTISSEMENT! COUPER LE COURANT AU NIVEAU DES FUSIBLES OU DU DISJONCTEUR.

READ AND SAVE THESE INSTRUCTIONS

PREPARATION

1. Shut off the power at the fuse box or circuit breaker box. If necessary, remove the old fixture and all mounting hardware from junction box.
2. Carefully unpack your new fixture and lay out all the parts on a clear area. Take care not to lose any parts necessary for installation.

ASSEMBLING THE FIXTURE(Fig.1)

3. Connect the fixture's wire from bottom cap (O) onto wire from tube (P) by plugging the wire connector together.
4. Slide bottom cap (O) from crystal column onto tube (P), then secure with lock washers (N) and screws (M).
5. Place screen mesh (Q) on top of metal shade (R), and secure screen mesh (Q) with washer (T) and screws (S).
6. Determine the desired hanging height and thread rods (H, I, J, K) to coupling (L). Then thread swivel (G) of canopy (E) onto rod (H). Pass wires carefully through each rod, swivel (G) and canopy (E).

MOUNTING THE FIXTURE (Fig.1)

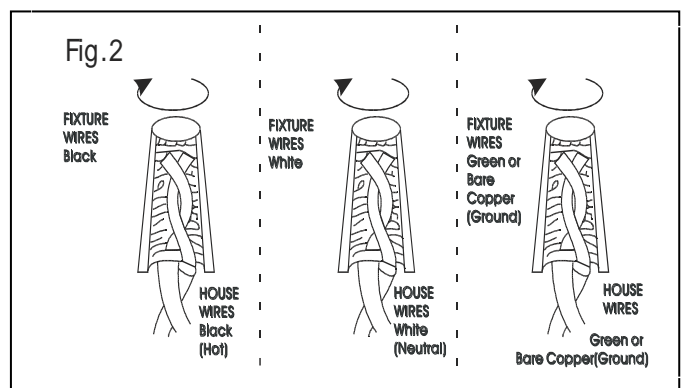
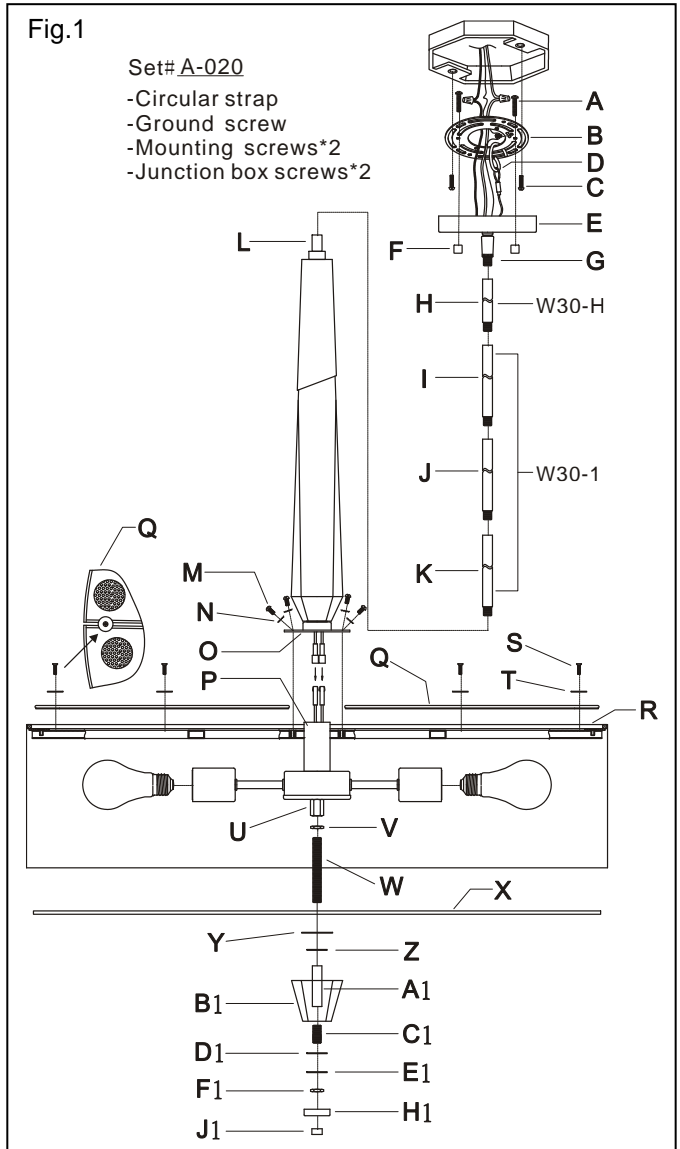
7. Thread two mounting screws (A) (Size: #8-32*1.2"L) into circular strap (B) spaced same distance apart as holes in canopy (E). Length of mounting screws (A) into circular strap (B) may be adjusted if necessary. Attach circular strap (B) to junction box (Not included) using junction box screws (C) (Size: #8-32*0.6"). The side of circular strap (B) marked "GND" must face out.
8. The support cable is provided to support the weight of fixture while wiring. Attach hook (D) on the end of support cable to circular strap (B). Carefully allow support cable to support weight of fixture while wiring.

CONNECTING THE WIRES (Fig.2)

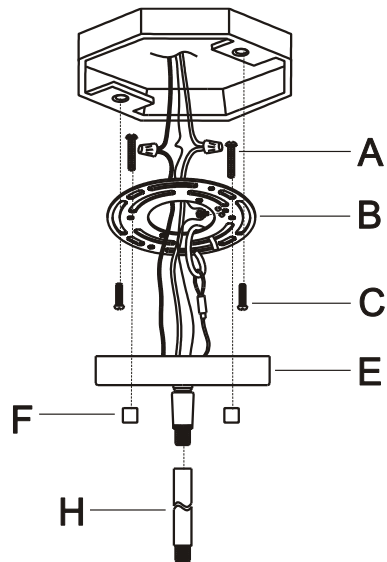
9. Connect the electrical wires as shown in Fig.2, making sure that all wire connectors are secured. If your junction box has a ground wire (green or bare copper), connect ground wires to it. Otherwise, connect fixture's ground wire directly to circular strap (B) and secure using green screw provided.
10. Tuck wire connectors neatly into junction box.

COMPLETING THE INSTALLATION (Fig. 1)

11. Slide canopy (E) over mounting screws (A) and secure with cap nuts (F).
12. Install (5) five medium base bulbs up to 60 watts each or CFL or LED equivalent (Not included) in accordance with the fixture specification. **(DO NOT EXCEED THE SPECIFIED WATTAGE!) (NE PAS DEPASSER LA PUISSANCE NOMINALE MAXIMALE!)**
13. Thread nut (V) onto all thread (W), then thread all thread (W) into coupling (U) and tighten with nut (V).
14. Slide glass panel (X), plastic washer (X) and iron washer (Z) onto all thread (W) and secure with tube (A1).
15. Thread all thread (C1) into tube (A1). Slide crystal (B1), plastic washer (D1) and iron washer (E1) onto all thread (C1), then secure with hex nut (F1).
16. Slide cap (H1) onto all thread (C1) and secure with finial (J1).

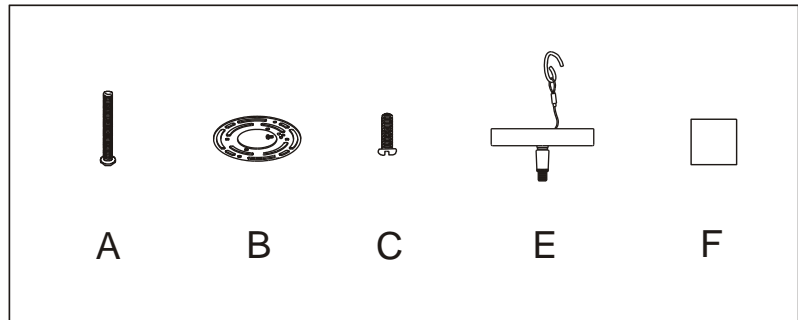


Your installation is now complete. Return power to the junction box and test the fixture.



a. Hardware Bag:

- A. Mounting Screws *2
- B. Circular Strap *1
- C. Junction Box Screws *2
- E. Canopy *1
- F. Cap Nuts *2



b. Hardware Bag:

- I, J, K. Rod 12" *3
- H Rod 6" *1

